

HEAT EXCHANGER

MODEL:	ESA-1000	
TYPE:	Air to Air	
RANGE:	up to 1000 CFM (0-100%)	
HEAT RECOVERY:	Up to 50%	
POWER INPUT:	240vac, 50-60Hz	
CONSUMPTION:	1.6 amps @ 240vac //// maximum capacity : 2.6 amps @ 240vac	
PRESSURE DIFFERENTIAL:	Neutral	
AUTO DEFROST:	Built in auto defrost cycle engages as required	
ACTUATOR:	Belimo Model #LMB(X)24-3-T	
WEIGHT:	Overall weight when assembled = 230lbs / 105kg (fan assembly, connector and stainless steel box)	
DIMENSIONS:	see reverse	
MOUNTING:	Wall mount with ceiling support (Stainless steel hardware included). Also compatible with cathedral ceilings.	
WARRANTY:	1 Year	
TEMPERATURE SENSORS:	T1=	Heated Air
	T2=	Exhausted Air
	T3=	Outside Air
	T4=	Inside Air

MOTOR/FAN ASSEMBLY

HP:	1/2
PHASE:	PH1
HZ:	50-60 Hz
PROTECTION:	Automatic reset overload
RPM:	1625
REPLACEMENT:	Compatible with EC smart motors
WEIGHT:	77lbs / 35kg (Fan assembly)

CONTROLLER

MATERIAL:	ABS Plastic	
WEIGHT:	2lbs / 1kg	
DISPLAY:	1.5" x 3" Liquid Crystal Display	
DIMENSIONS:	Width = 8", Height = 6", Depth = 3"	
CERTIFICATIONS:	CSA approved	
MODES:	Stand alone mode:	Program your preferred ventilation curves.
	Manual mode:	Manually increase or decrease the speed as needed.
	0-10vdc mode:	Receive a 0-10vdc signal from your ventilation controller.
	Variable mode:	Increase or decrease the speed by modulating the current.
	Modbus mode:	Control your heat exchanger by Modbus protocol.

CONNECTOR

MATERIAL:	Polystyrene
WEIGHT:	20lbs / 9kg
DIMENSIONS:	see reverse

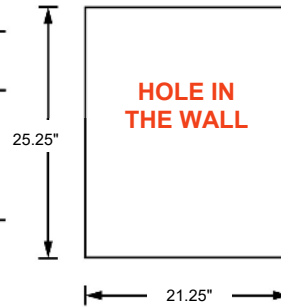
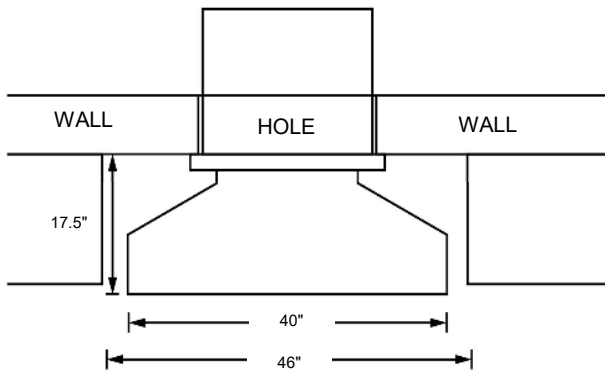
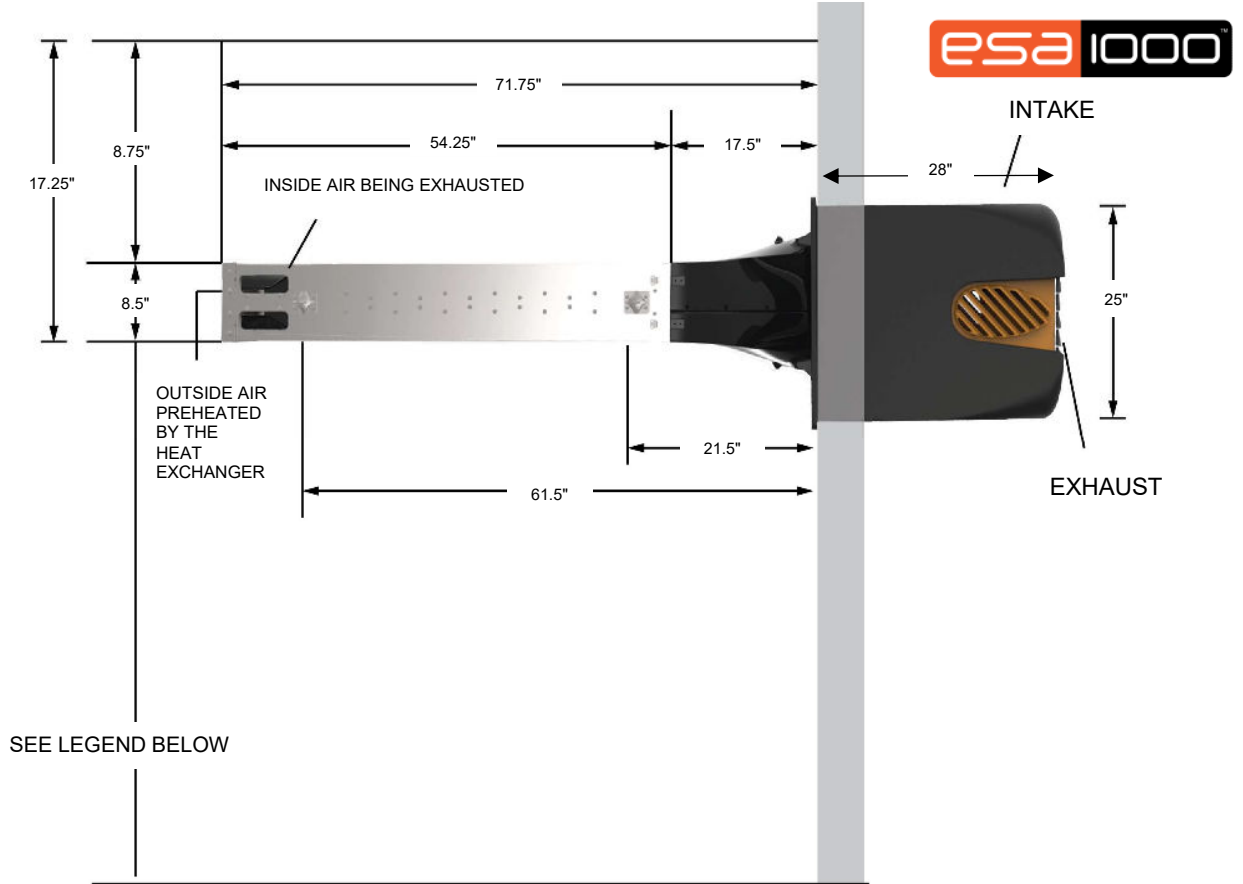
STAINLESS STEEL BOX

MATERIAL:	Stainless steel double layer
DIMENSIONS:	see reverse
INSULATED:	Yes, with foam (Expanded Polystyrene)
WEIGHT:	98lbs / 45kg

CORE/CARTRIDGE

MATERIAL:	Polystyrene
WEIGHT:	29lbs / 13kg

Notes: Weights and dimensions are rounded off to the nearest whole number.



LEGEND

CEILING HEIGHT AT WALL	HEAD CLEARANCE UNDER UNIT
10'	8.5'
9'	7.5'
8'	6.5'
7'	5.5'

Contact for technical questions:

Gabriel Gagné-Marcotte
 Product Development Director/CTO
gabriel@esair.ca
 Tel. : 819-993-5690

Contact for sales

Randy Taylor
 Director of Sales & Business Development
randy@esair.ca
 Tel. : 647-515-2207



Énergie Solutions Air
 400, Marquette Street
 Sherbrooke (QC) J1H 1M4

[Click here to try our payback calculator online](#)